

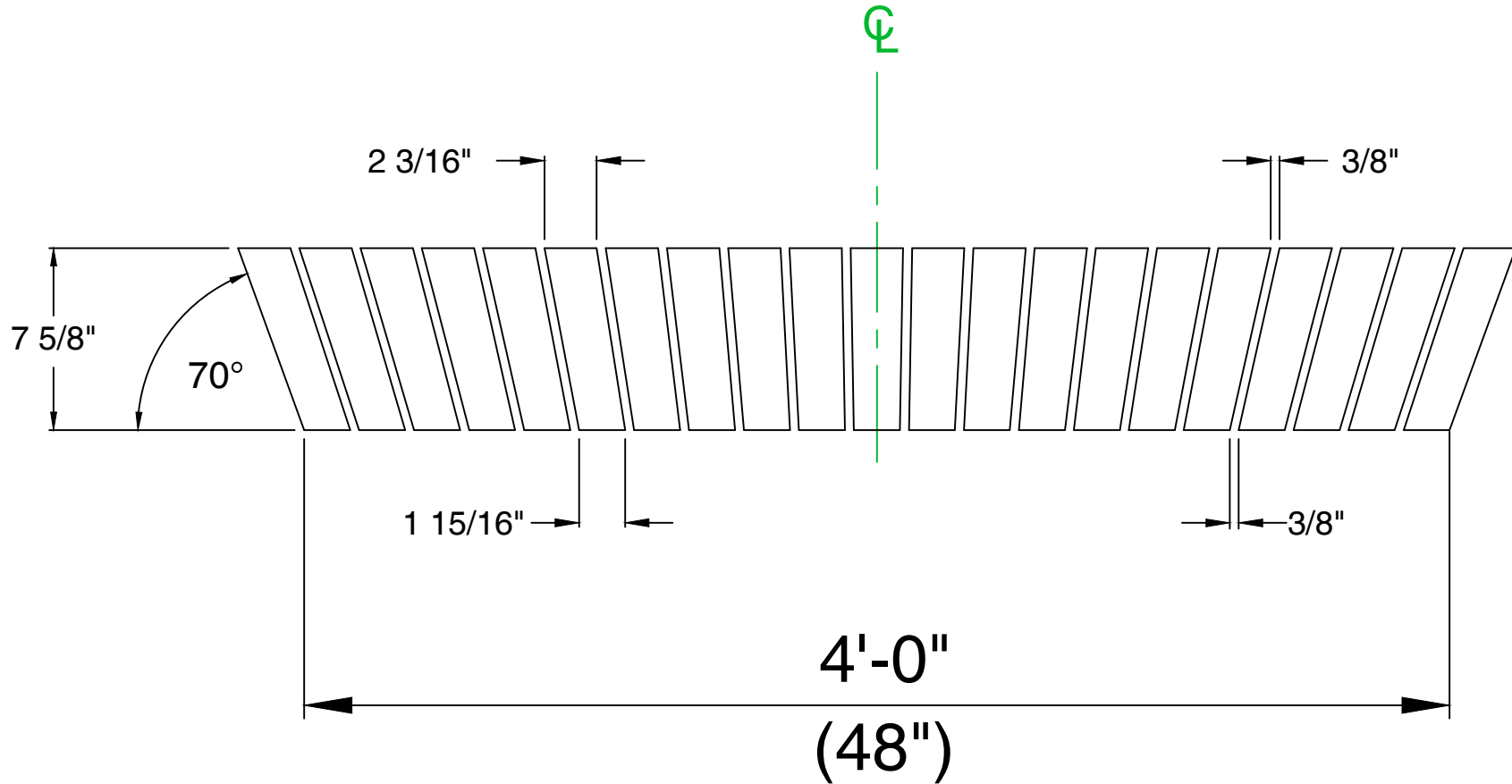
This document is the property of GLEN-GERY CORPORATION and may not be reproduced without written permission from the appropriate Glen-Gery Personnel. The contents of this document are advisory only. Responsibility for accuracy and applicability rests entirely with the Project Designer and / or Owner.



Glen-Gery Design Services
(717) 854-2697

This drawing has been reviewed for dimensions, faces, and specifications and I agree to them.

Signature _____ Date _____



ASTM STANDARD:
C216 FBS SW

DRAWING:
4'-0" (48") 3 COURSE JA1 JACK ARCH

PLANT:

BRICK NAME:

SALES REP:

TEXTURE:
EXTRUDED

PROJECT:

BRICK SIZE: STD. MOD.

DATE: 11 MAR 18

BED DEPTH: 3 5/8"

COMPUTER FILE:
JA1-48-MOD

DRAWN BY: KEVIN LINDSTROM

PCS. / ARCH:
23